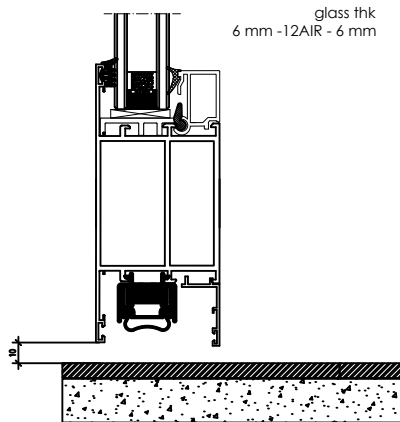


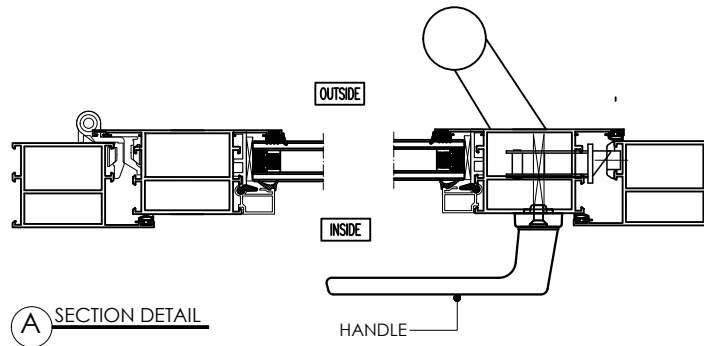
**BOTTOM TRACK V1**

NTS

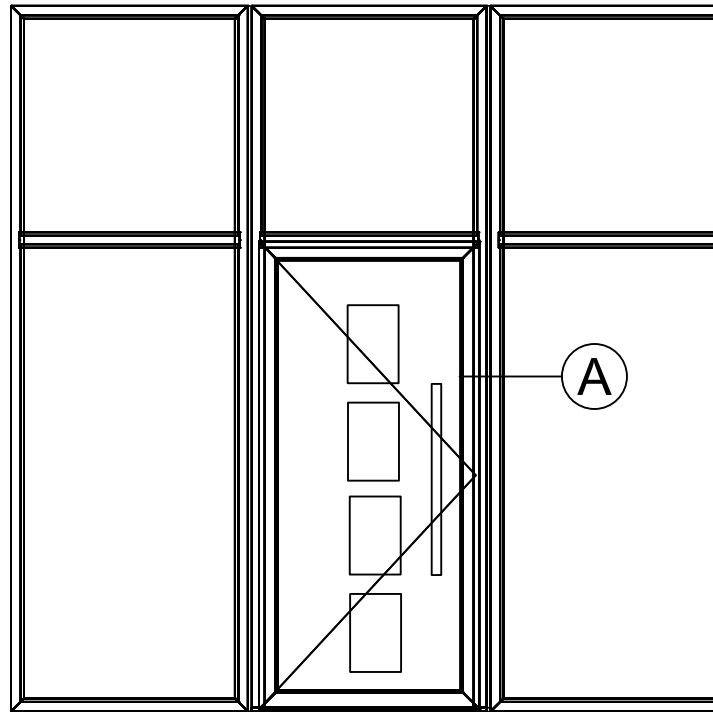


**BOTTOM TRACK V2**

NTS



**A SECTION DETAIL**



German Windows Malaysia Sdn Bhd (P65167-1)

W [www.germanwindows.com.my](http://www.germanwindows.com.my)  
E [enquiry@germanwindows.com.my](mailto:enquiry@germanwindows.com.my)

Note \_\_\_\_\_

Client \_\_\_\_\_

Project \_\_\_\_\_

Drawing Title \_\_\_\_\_

Drawn by \_\_\_\_\_ Checked by \_\_\_\_\_  
Elise Chong Andre Geffke

Drawing No. \_\_\_\_\_ Pg No. \_\_\_\_\_  
02 01

Scale \_\_\_\_\_ Date \_\_\_\_\_  
NTS 04-08-20

Revision Details \_\_\_\_\_ Rev. \_\_\_\_\_